

REPENT AND BE BAPTIZED...



IN THE
NAME OF

JESUS
CHRIST

For the

forgive-
ness

of ALL Your SINS

ACTS 2:38-39

AG '26 VFM



My Worship Notes

Today is: _____

The preacher is: _____

Today I ...

— Brought a friend to church.

— Brought my Bible.

— Said "hello" to two people.

Spirit

Today's Bible Passages

1 _____

2 _____

3 _____

Words I don't understand ...

Questions I have about
what was said ...

How many times did I hear these words? (make a tally mark)

Baptized	Forgiveness	Repent	Sins
Christ	Water	Spirit	_____

Enter your own word

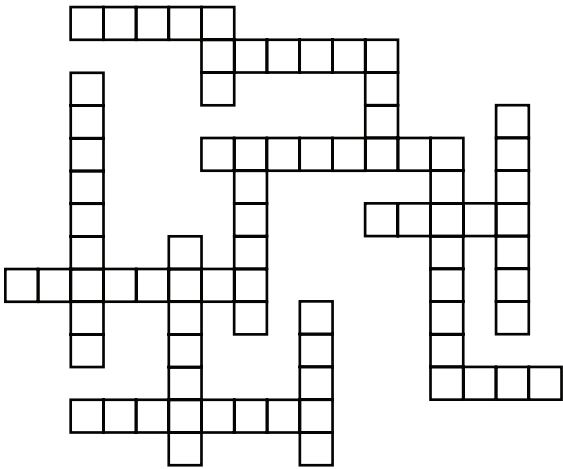
MY NAME _____

What was the most important thing I learned today?

How can I use this in my life?



Fill In Word puzzle



What does God do for me at my Baptism?



CRUCIFIED	BAPTIZE	GIFT
BROTHERS	ELEVEN	
APOSTLES	REPENT	
CHILDREN	HOUSE	
STANDING	HEART	
PROMISE	NAME	

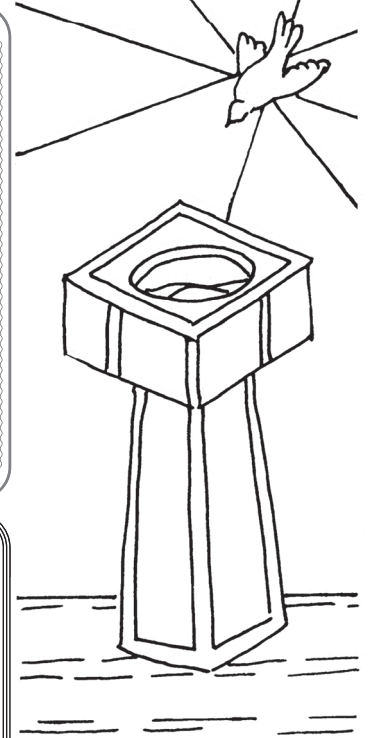
Who can I share Jesus with this week?

Repent
And Be
Baptized
Acts 2:38

Songs we sang:



Four horizontal lines for writing song titles.



ag '26 VFM